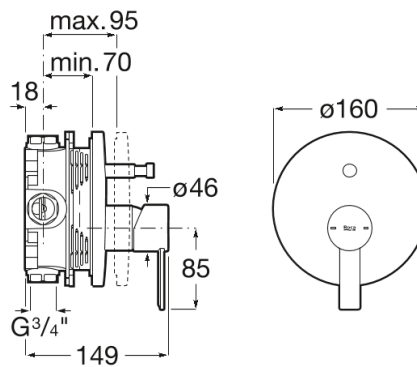


TARGA

Built-in bath-shower mixer (2 ways)



TECHNICAL DRAWINGS



FEATURES

Built-in bath-shower mixer (2 ways) with automatic diverter. To be completed with RocaBox A525869403.

Application place: Shower

Flow rate (l/min - 3 bar): 20

Installation type: Built-in

Type of cartridge: Ceramic



Evershine



SoftTurn

BOUGHT TOGETHER FREQUENTLY



Universal RocaBox for
built-in installations.

525869403



Targa

A proposal that can bring an air of freshness and originality to every corner. Slim and curvaceous, this series' singularity is seductive and its valiant functionality is ever so convincing.



INSTALLATION AND USER MANUALS



[Installation Handbook](#)